

# dingz base

## Installation instructions



Thank you  
for choosing dingz.

# Safety information

## Read these important instructions carefully before starting to install your dingz base.

The operation of your dingz base is only permitted on a 230V~ 50Hz AC mains supply and must always be protected with a maximum of 16A.

The dingz base may only be connected to or disconnected from the mains supply (230V~) by qualified personnel. Danger of death!

Before connecting or working on the dingz base or connected consumers, the supply line must be disconnected via the upstream fuse.

Only operate your dingz switch up to the specified switching capacity of maximum 100W per output (continuous operation). Loads up to 230W can be switched on/off (but not dimmed) for a maximum of 2 minutes. This allows, for example, the operation of blind motors.

Overloads may destroy the dingz switch, cause a fire or an electric shock!

The dingz base uses a trailing-edge phase dimmer. Only suitable consumers, incandescent, halogen and LED lamps can be dimmed.

Only use blinds with limit switches (mechanical or electronic). Check that the limit switches of the connected motors are set correctly before use.

Never open the dingz base. It does not contain any replaceable fuses.

Always follow the information and instructions in this manual, and comply with all applicable installation standards.

In the event of malfunction, please contact us via the contact form in the support area on [dingz.ch](http://dingz.ch)

# dingz in brief

## Functionality

You can use your dingz switch – consisting of a dingz base and a dingz front – to switch on/off or dim connected lights, or to operate electric blinds and heating valves.

A dingz switch with a dingz front plus can also gently dim your lights with the integrated motion detector and brightness sensor.

If required, your dingz switch also acts as an input, so you can add remote switches or motion detectors.

Alternatively, connect your dingz switch to a smartphone after installation to set up all the options.

Afterwards, you can decide whether to leave your dingz switch as it is and use it as a simple, elegant and compact switch.

Or you can connect it to your WLAN and provide it with smart home capabilities. You can use it to control connected lights, blinds and heating valves via your smartphone or voice, group several dingz switches together, and much more.

## The dingz base delivery includes

- 230V switch unit with 4 individually dimmable outputs
- 2 fixing screws for installation in the metal frame

## dingz base specifications

Power supply	230V~ 50Hz
Supply current	4A
Output power	max. 400W / max. 100W max per output max. 230W per output (short term - max. 2 minutes)
Standby consumption	0.7W
Protection type (IEC 60529)	IP20, dry installation
Protection class	II
Ambient temperature	+5°C to +35°C non-condensing
Operating altitude	0 ... 2000 m. above sea level
Dimensions (W x H x D)	60 x 60 x 32 mm

*Subject to technical changes.*

# FAQ & Support

## Maintenance

Your dingz switch is maintenance free. Clean with a soft, clean, dry and lint-free cloth. Do not use liquids or solvent-based cleaning agents, as these may attack the plastic housing and the lettering.

## What should I do if dingz doesn't work?

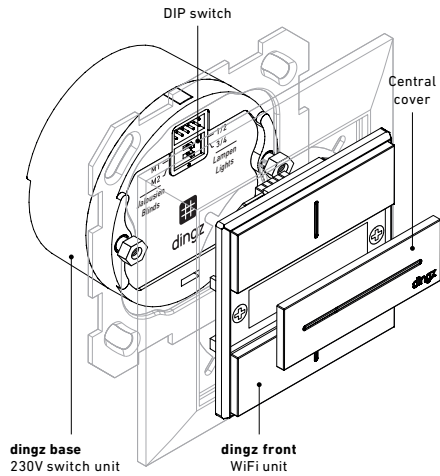
If your dingz switch isn't working, please perform a reset and reconnect with WLAN if necessary.

## Additional support

Additional documents, updates and contact information can be found in the support area on [dingz.ch](http://dingz.ch)

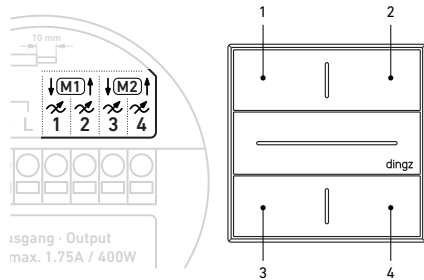
# Overview

## Setup

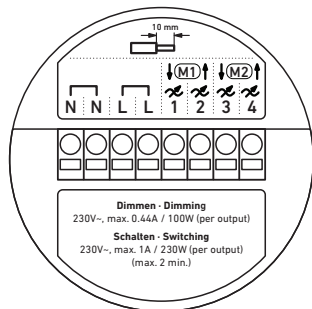


## Button numbering

The numbers of the outputs correspond to these buttons.



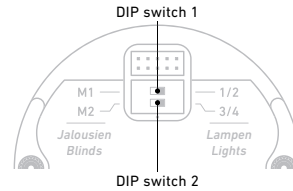
## Connections



## Assign connections to device types

Using the DIP switches on the 230V unit, you can configure the outputs as dimmers or motor actuators according to the connected consumers.

Note – All four outputs are individually dimmable.



### 4 lights

*DIP switch 1 = right / DIP switch 2 = right*

### 2 lights and 1 blind

*DIP switch 1 = right / DIP switch 2 = left*

### 1 blind and 2 lights

*DIP switch 1 = left / DIP switch 2 = right*

### 2 blinds

*DIP switch 1 = left / DIP switch 2 = left*

## Connection

Your dingz base needs to be connected to line connector (phase) and neutral conductors and can power up to four loads. Operation without a neutral conductor is not possible.

The dingz base has four independently switchable and dimmable outputs. Up to four lights can be connected to outputs 1-4. Blind motors can be operated directly via outputs 1 & 2 or 3 & 4. The operating mode of the outputs – dimmers or blinds – is set via the DIP switches. Incorrectly setting the operating mode can lead to the destruction of a blind motor or the dingz base!

**Using the motion detector of the dingz front plus** - The motion detector of a dingz front plus controls output 2 by default if it has been configured as a light using the DIP switch.

**Using dingz base as an input** - Port 1 can also be used as an input, e.g. for remote switches or motion detectors. You can set this up after installation using the dingz installation app. This input makes it possible to integrate your dingz switch into all common installations: Diagram 3/6, staircase or step circuit.

**Thermostat** - Your dingz switch can directly control 230V heating valves, removing the need for an additional external thermostat. Connect the valve to any output of your dingz base, which you can then configure via the dingz installation app.

# Installation

## Procedure

1. Check the power consumption of the consumer to be connected (see technical data of the consumer). This must not exceed 100W per output. Blind motors can be operated directly up to 230W. Larger outputs must be switched on/off via contactors/relays.
2. Prepare the dingz base via DIP switches as described above
3. Make sure that all accessible cables are voltage free for installation. Remove the panel fuse or deactivate the circuit breaker.
4. Attach the dingz base according to the diagram and install it – attach it to the metal frame using the two screws
5. Turn the power back on
6. Attach the dingz front
7. Turn on the dingz switch

Note - Additional details, configurations and diagrams can be found in the support area on [dingz.ch](http://dingz.ch)

# LED & Reset

## LED

OFF	No power/defective
Flashing blue	OK
Constant blue	malfunction

## Reset

1. Attach a dingz front to the dingz base
2. Press and hold both diagonal buttons 1 and 4 simultaneously for 10 seconds.
3. The LED flashes white/red 5 x – this resets the dingz plus switch settings. The WLAN network connection is interrupted during this operation.